

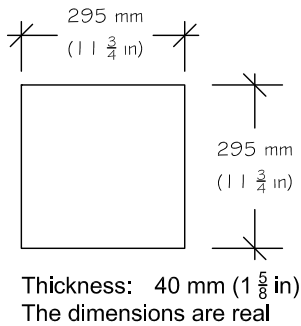
Econo Slab

Packaging and typical layout

PACKAGING

Units per row	12	
Row per cube	15	
Quantity per cube	180	
Area per unit	0.09 m ²	0.94 ft ²
Area per layer	1.04 m ²	11.24 ft ²
Area per cube	15.66 m ²	168.63 ft ²
Weight per unit	8 kg	17 lb
Weight per cube	1413 kg	3109 lb

DIMENSIONS



TYPICAL LAYOUT

